

MATERIAL: SEE B/M
 DRAWN: F/WK CHECKED:
 SCALE: NONE DATE: 03/10/08



DIMS VALID FOR CL150 FLANGES ONLY

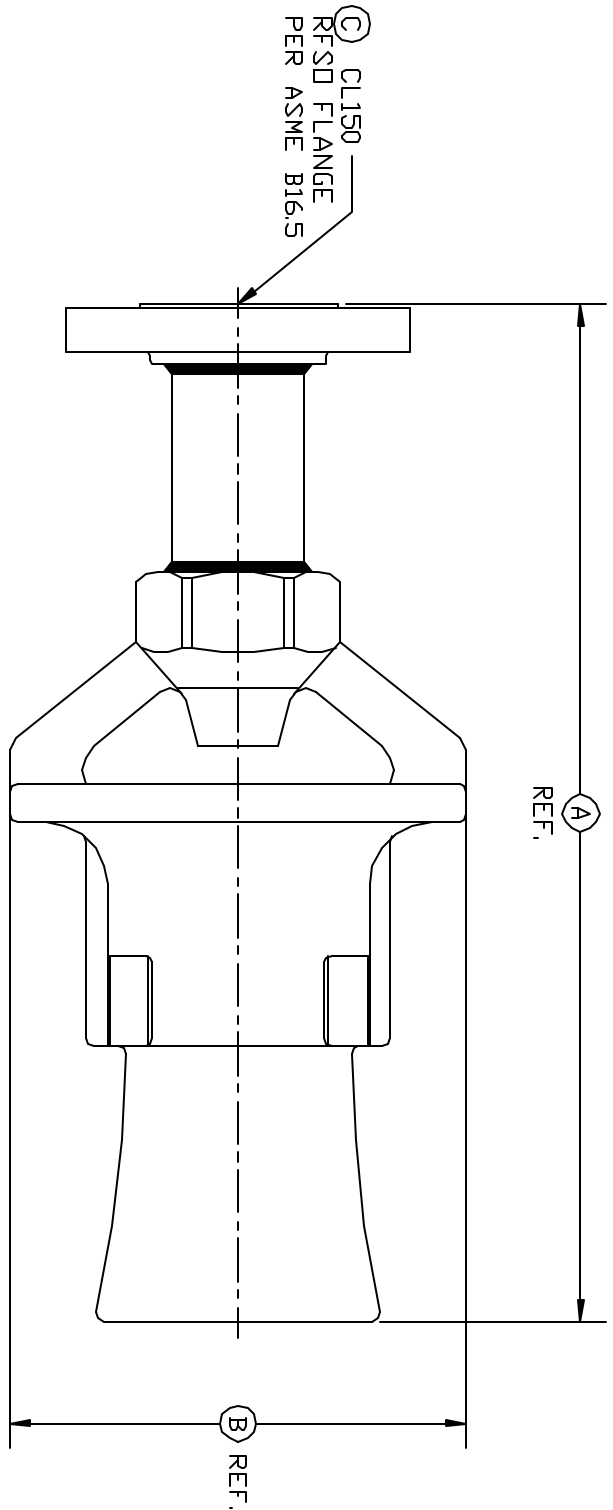
TLA, BODY
 W/ SO FLANGE

FILE NO.: E400-05.DWG

Section: E400
 Bulletin: E400 05
 Date: 3/10/08
 Supersedes: NEW

NOTE: BOLT HOLES STRADDLE CENTERLINES

THIS DRAWING AND ALL INFORMATION ON IT IS THE PROPERTY OF JACOBRY-TARBOX, DIVISION OF THE CLARK-RELIANCE CORPORATION. IT IS CONFIDENTIAL AND IS GIVEN TO YOU FOR A LIMITED PURPOSE AND MUST BE RETURNED UPON REQUEST. NEITHER THIS DRAWING NOR ANY PART OF IT NOR ANY INFORMATION CONCERNING IT MAY BE COPIED, EXHIBITED OR FURNISHED TO OTHERS NOR MAY PHOTOGRAPHS BE TAKEN OF ANY ARTICLE FABRICATED OR ASSEMBLED FROM THIS DRAWING WITHOUT CONSENT OF THE CLARK-RELIANCE CORPORATION.



SIZE	PART No.	MATERIAL	A	B	C
AVAILABLE IN WELD NECK ONLY					
3/8"	AVAILABLE IN WELD NECK ONLY				
3/4"	AVAILABLE IN WELD NECK ONLY				
1-1/2"	TB-3924-A27SPF1	CARBON STEEL	14.38	5.54	1-1/2"
	TB-3924-T11SPF1	316SS			
2"	TB-3925-A27SPF1	CARBON STEEL	19.13	7.68	2"
	TB-3925-T11SPF1	316SS			
3"	TB-3926-A27SPF1	CARBON STEEL	28.81	11.73	3"
	TB-3926-T11SPF1	316SS			